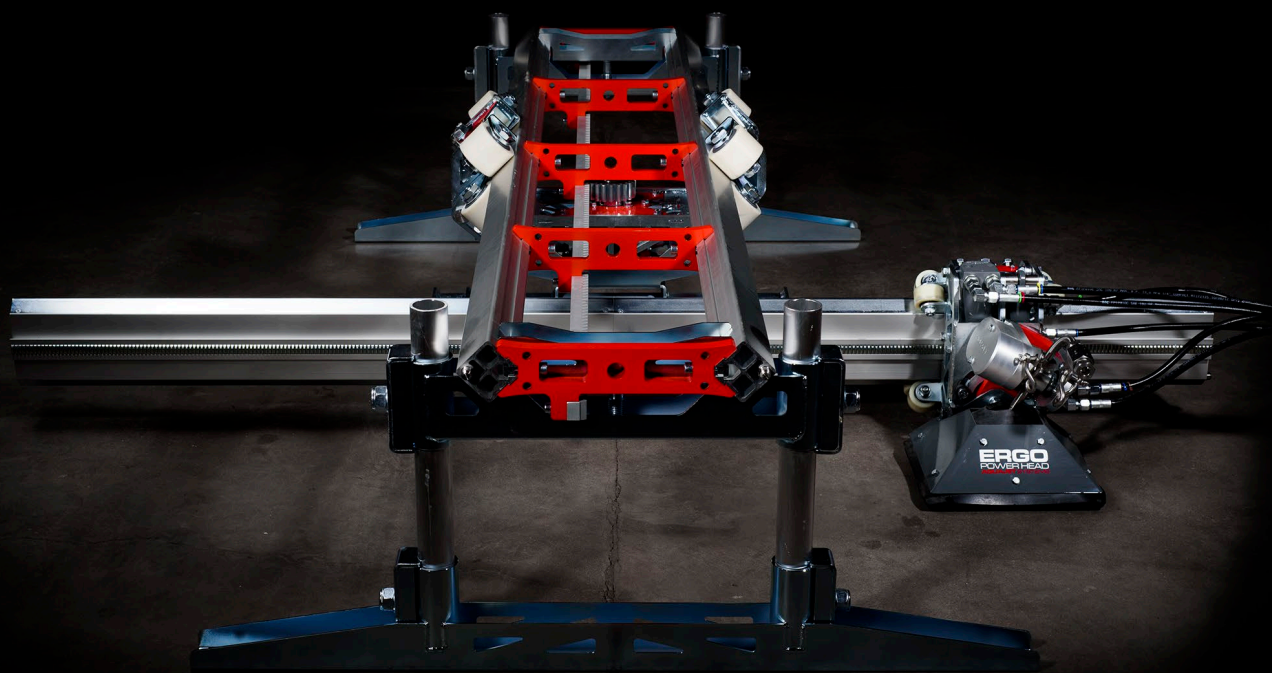


ERGO

SPINE

NEW!

EMBRACE THE LIGHTWEIGHT



AQUAJET
SYSTEMS AB



Ergo

SPINE



Ergo power head with up to 45° adjustable lance angle and two step adjustable oscillation.

Meet the ergo spine

The new Ergo Spine's weight is reduced to half of the predecessor and a 2m rail weighs just 20 kg. But don't let the weight fool you, it still handles the same reaction force as the steel rail.

The roller beam and power head are the same as for Ergo climber, and by adding different brackets and supports, every possible situation can be solved.

KEY FEATURES

- All parts can be carried by one person.
- All connection points are with a single bolt.
- Same bolt size for connections between spine parts.
- All intersection points are marked with red.
- Spine weight is now reduced to half and a 2m rail weighs just 20kg. It still handles the same reaction force as a steel rail.

STANDARD SETUP

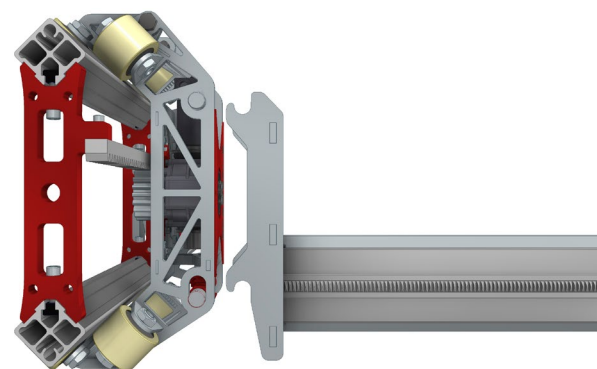
- Floor, wall or ceiling
- Easy to move around

SIDE SETUP

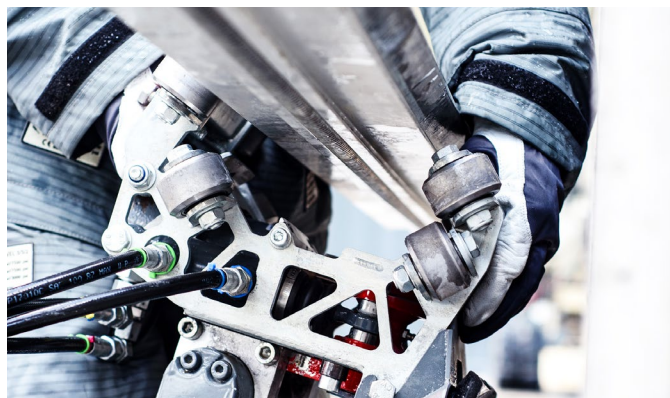
- Brokk robot
- Parapet beam
- Narrow places

HIGH REACTION FORCE

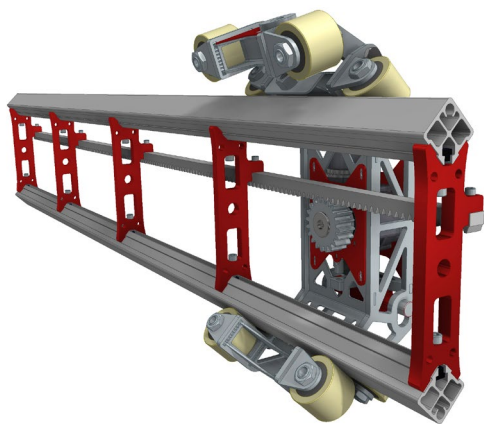
- Can be equipped with robot power head to handle high reaction forces.



Quick connection with a single bolt for different brackets and tools.



Roller beam have a light weight aluminum core and replaceable gear rack and guide rails. The Ergo power head is connected to the roller beam with a single bolt.



The spine roller is connected to the spine rail with a single bolt.



Working width:	0.25-2.0 m (0.82-6.56 ft)
Max length between supports:	2.0 m (6.56 ft)
Min clearance height:	500 mm (19.69 in)
Roller beam lengths:	0.25 m / 0.5 m / 1.0 m (0.82 ft / 1.64 ft / 3.28 ft)
Lance angle:	±45°
Oscillation steps:	8° / 22mm (0.87 in) and 14° / 42mm (1.65 in)
Spine roller weight:	28 kg (61.7 lbs)
Spine rail weight:	11 kg/m (7.39 lbs/ft)
Power head weight:	21 kg (46.3 lbs)
Roller Beam weight:	9.5 kg/m (6.38 lbs/ft)
Complete spine (2x2m) weight:	approx. 125 kg (275.6 lbs)
Max reaction force:	2000N @ 1.0 m from spine center
Drive source:	Ergo Controller

AGS039E 1903

Call us:
E-mail us:
Visit us:

+ 46 383 508 01
aquajet@aquajet.se
Brunnsvägen 15, SE-574 53 Holsbybrunn, SWEDEN
www.aquajet.se

AQUAJET
SYSTEMS AB